

WL2000

Everyone is health conscious these days. So, you want your staff, customers and visitors to have access to high quality drinking water – but you don't want any hassle. We can offer a refreshingly simple answer: The WL2000.

The WL2000 mains fed water dispenser, delivers a constant supply of the highest quality drinking water, offering great tasting water. The WL2000 is mains fed so it does away with the problems of storage, lifting heavy water bottles, degradation and sanitisation, not to mention running out.

Key Features

- Direct chill technology
- 1-micron carbon filtration
- Large drip tray (1.4 litre capacity)
- BioCote® anti-microbial protection



ANTIMICROBIAL
PROTECTION



HIGH
PERFORMANCE
FILTRATION



DIRECT
CHILL



**EXPRESS
WATER COOLERS**

WL2000 Specification

Dimensions: (HxWxD)	Freestanding: 1030mm x 345mm x 367mm Tabletop: 480mm x 345mm x 367mm
Capacity:	50 cups per hour
Colours:	Silver/Charcoal grey
Options:	<ul style="list-style-type: none"> • Cold only • Hot & cold
Weight:	Freestanding 24kg Tabletop 22kg

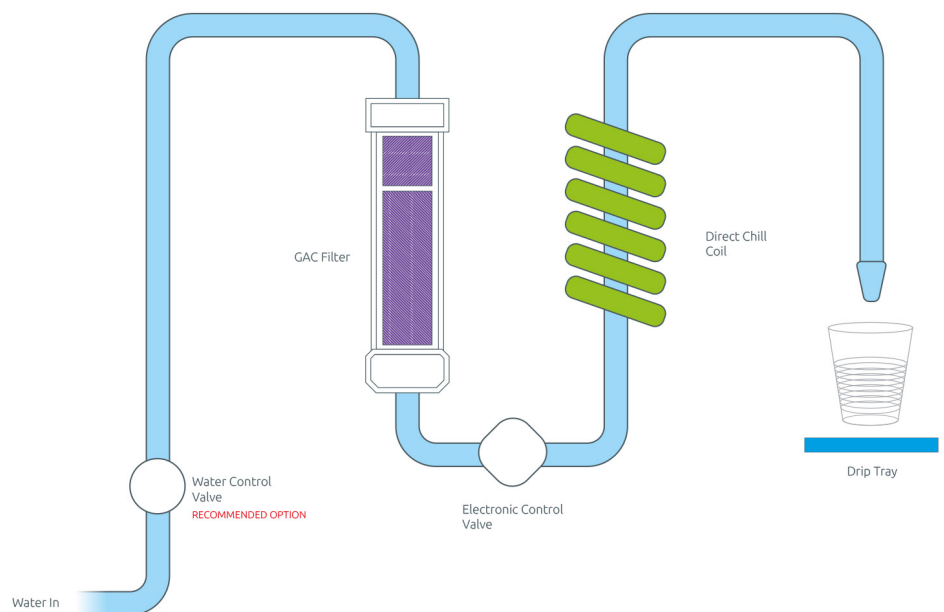
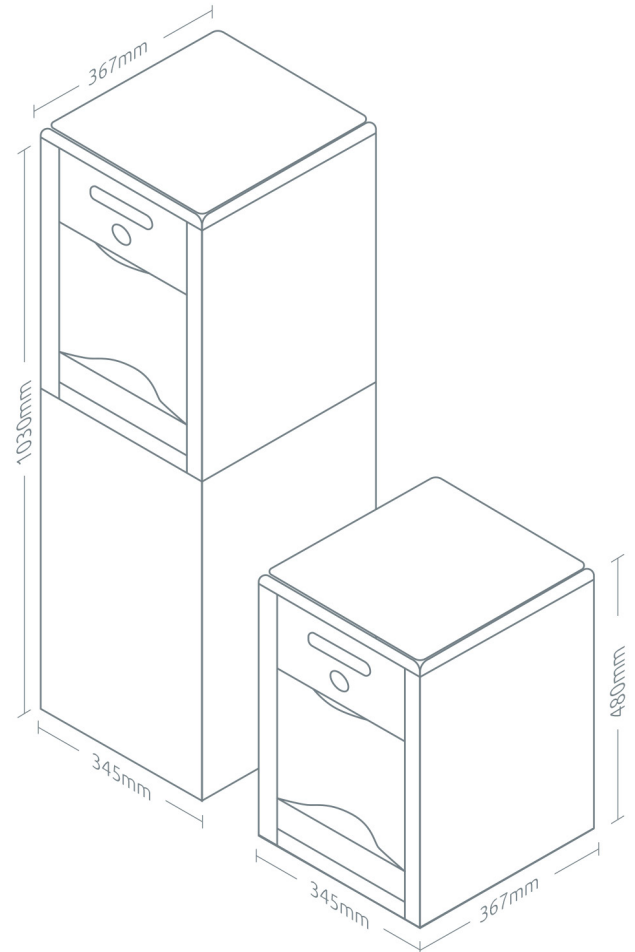
Installation Requirements

To ensure that the Waterlogic machine can be installed quickly and smoothly in your proposed location, each machine will require a 13A (240 AC) switched socket which should not be more than one metre from the machine.

Each plumbed water machine needs to be supplied with water from a rising main. Machines cannot be connected to a storage tank water supply. The pipe work should ideally be no more than one metre from the machine although our in-house service team are able to install machines in the majority of locations.

Pipe work must be terminated with a 15mm BS1010 stopcock.

Technical Information



Speak to a Water Expert

We're here to answer all your questions.
sales@expresswatercoolers.co.uk
 +44 (0) 161 747 7400

Express Water Coolers
 102a Higher Road,
 Urmston, Manchester, M41 9AP
www.expresswatercoolers.co.uk