

Waterlogic 4

Combining functionality with sleek, intuitive design, the Waterlogic 4 provides dramatically advanced water purification capabilities alongside unrivalled aesthetics. The Waterlogic signature approach to refreshment purity takes three stages; Carbon Filtration, UV Purification and BioCote® antimicrobial protection and gives the re-assurance of total hygiene both inside and out.

The Waterlogic 4 also breaks new ground in that all cold and sparkling water has the maximum Class A UV treatment, giving the purest water.

Key Features

- Unbeatable water purity
- 2 stage carbon filtration
- Class A UV
- Firewall UV technology
- Drip tray sensor
- BioCote® anti-microbial protection



ANTIMICROBIAL
PROTECTION



HIGH
PERFORMANCE
FILTRATION



CLASS A
UV
PURIFICATION



FIREWALL
ADVANCED
PURIFICATION

Waterlogic 4 Specification

Dimensions: (HxWxD)	Freestanding 1238mm x 428mm x 470mm Tabletop 439mm x 428mm x 470mm
Capacity:	50 cups per hour
Colours:	Silver/Black
Options:	<ul style="list-style-type: none"> • Cold only • Cold & ambient • Cold & sparkling • Extra hot & cold • Extra hot, cold & sparkling
Weight:	Freestanding: 53kg Tabletop: 35kg

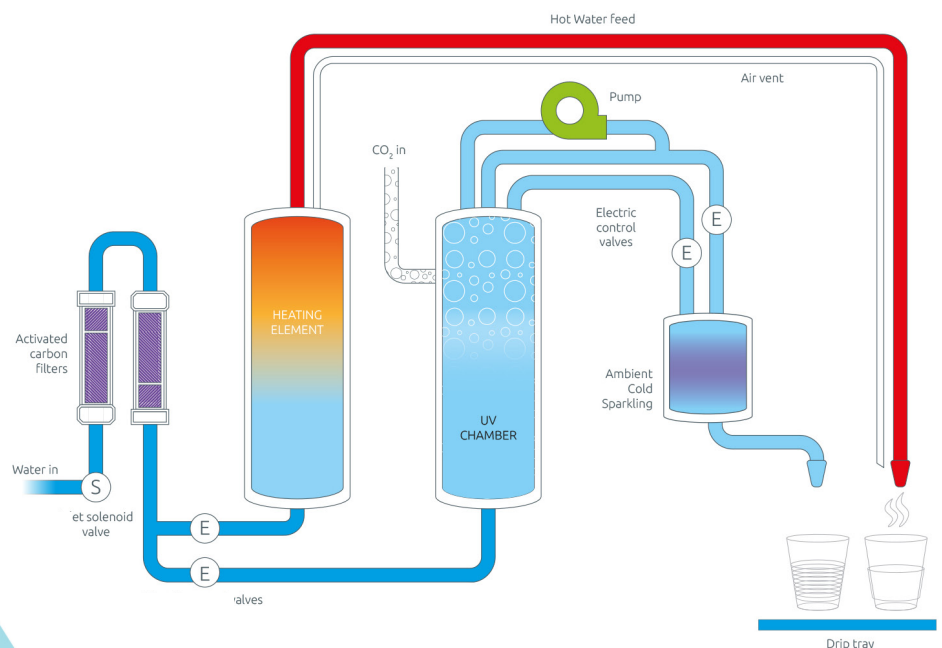
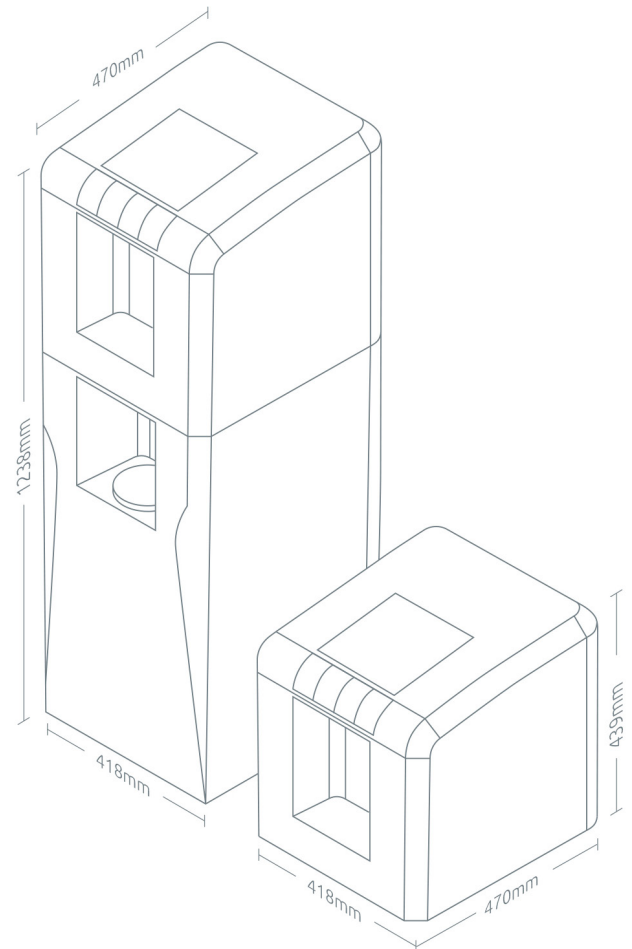
Installation Requirements

To ensure that the Waterlogic machine can be installed quickly and smoothly in your proposed location, each machine will require a 13A (240 AC) switched socket which should not be more than one metre from the machine.

Each plumbed water machine needs to be supplied with water from a rising main. Machines cannot be connected to a storage tank water supply.

The pipe work should ideally be no more than one metre from the machine although our in-house service team are able to install machines in the majority of locations.

Technical Information



Speak to a Water Expert

We're here to answer all your questions.
sales@expresswatercoolers.co.uk
 +44 (0) 161 747 7400

Express Water Coolers
 102a Higher Road,
 Urmston, Manchester, M41 9AP
www.expresswatercoolers.co.uk